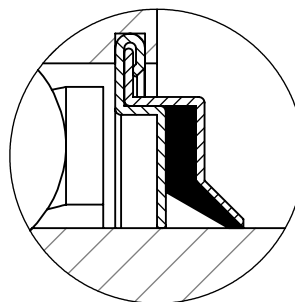
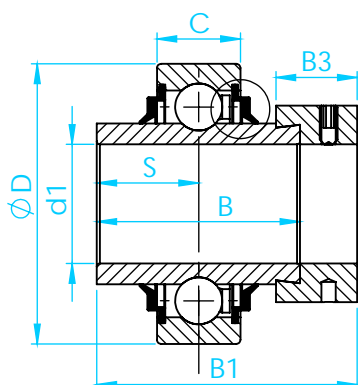


# Tipo - UGR-200 - Cargas Normais



Vedação F

## BRM

EIXO		Rolamento	D	d1	B	Bi	S	B3	C
mm	Pol.		mm	mm	mm	mm	mm	mm	mm
12 15 17	3/4	UGR 204	47,0	29,0	34,0	43.5	17,0	15.9	12.4
25	7/8 1	UGR 205	52,0	34,0	34.8	44.3	17.4	19,0	15.1
30	1-1/8 1-1/4	UGR 206	62	40.5	36.4	48.3	18.2	22.2	17
35	1-1/4 1-7/16	UGR 207	72	48	37.6	51.1	18.8	23.8	19
40	1-1/2	UGR 208	80	53	42.8	56.3	21.4	27.8	22.8
45	1-11/16 1-3/4	UGR 209	85	57	42.8	56.3	21.4	27.8	22.7
50	1-15/16	UGR 210	90	62	49.2	62.7	24.6	28.6	22.7